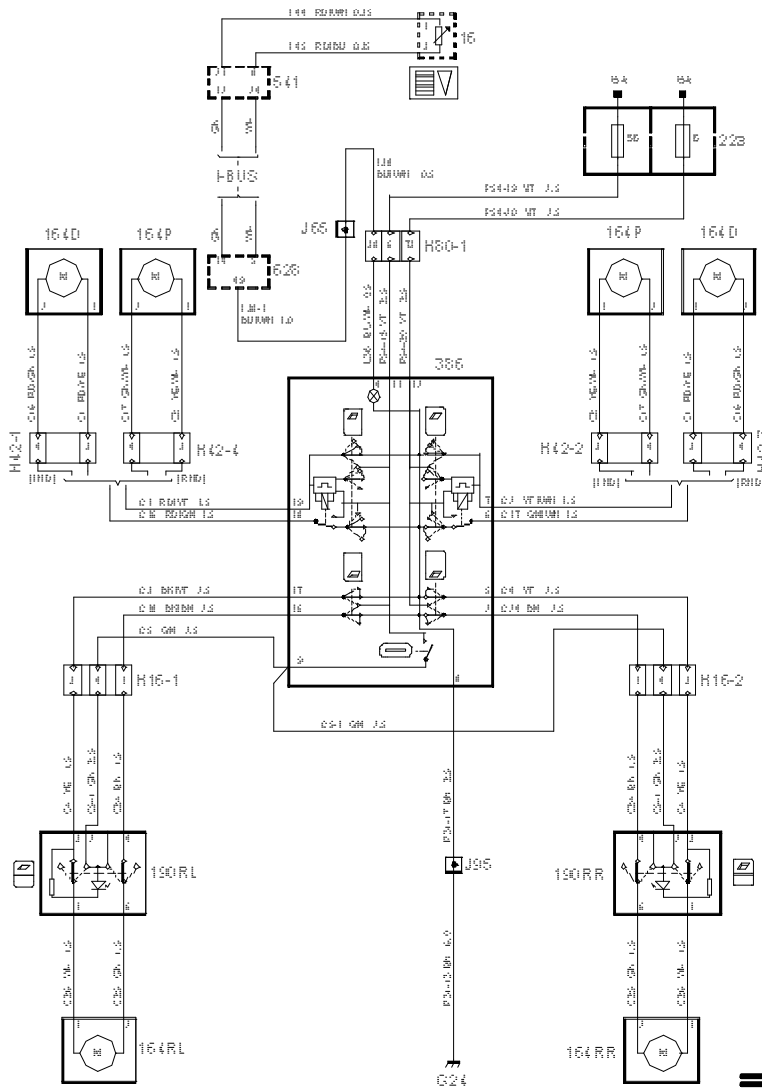


Electric window lifts



List of components

No.	Name location	Illustration
Components		
16	Rheostat, instrument lighting, in lights switch panel between steering wheel and driver's door	➔
22a	Main fuse board, dashboard, On short side of dashboard beside driver's door	➔
164D	Motor, electric window lift, driver, in the door	➔
164P	Motor, electric window lift, passenger, in the door	➔
164RL	Motor, electric window lift, LH rear, in the door	➔
164RR	Motor, electric window lift, RH rear, in the door	➔
190RL	Switch, electric window lift, LH rear, in the door	➔
190RR	Switch, electric window lift, RH rear, in the door	➔
386	Switch unit, electric window lifts/electrically operated sunroof, in floor console between the seats	➔
541	SID, in the centre of the dashboard	➔
628	Control module, DICE LHD: above dashboard relay board RHD: behind the dashboard relay board	➔
16-pin connectors		
H16-1	In the left-hand B-pillar	➔
H16-2	In the right-hand B-pillar	➔
42-pin connector		
H42-1	On leading edge of driver's door (LHD)	➔
H42-2	On leading edge of passenger door (LHD)	➔
H42-3	On leading edge of driver's door (RHD)	➔
H42-4	On leading edge of passenger door (RHD)	➔
80 pin connectors		
H80-1	In connector console under left-hand A-pillar	➔
Crimp connectors		
J65	LHD: Approx. 130 mm from MIU branching point, towards the radio RHD: Approx. 260 mm from branching point grounding point G41S towards MIU	➔
J95	Approx. 150 mm from RH seat branching point, towards RH front door	➔

Grounding point

G24

Behind seat member under right-hand seat

